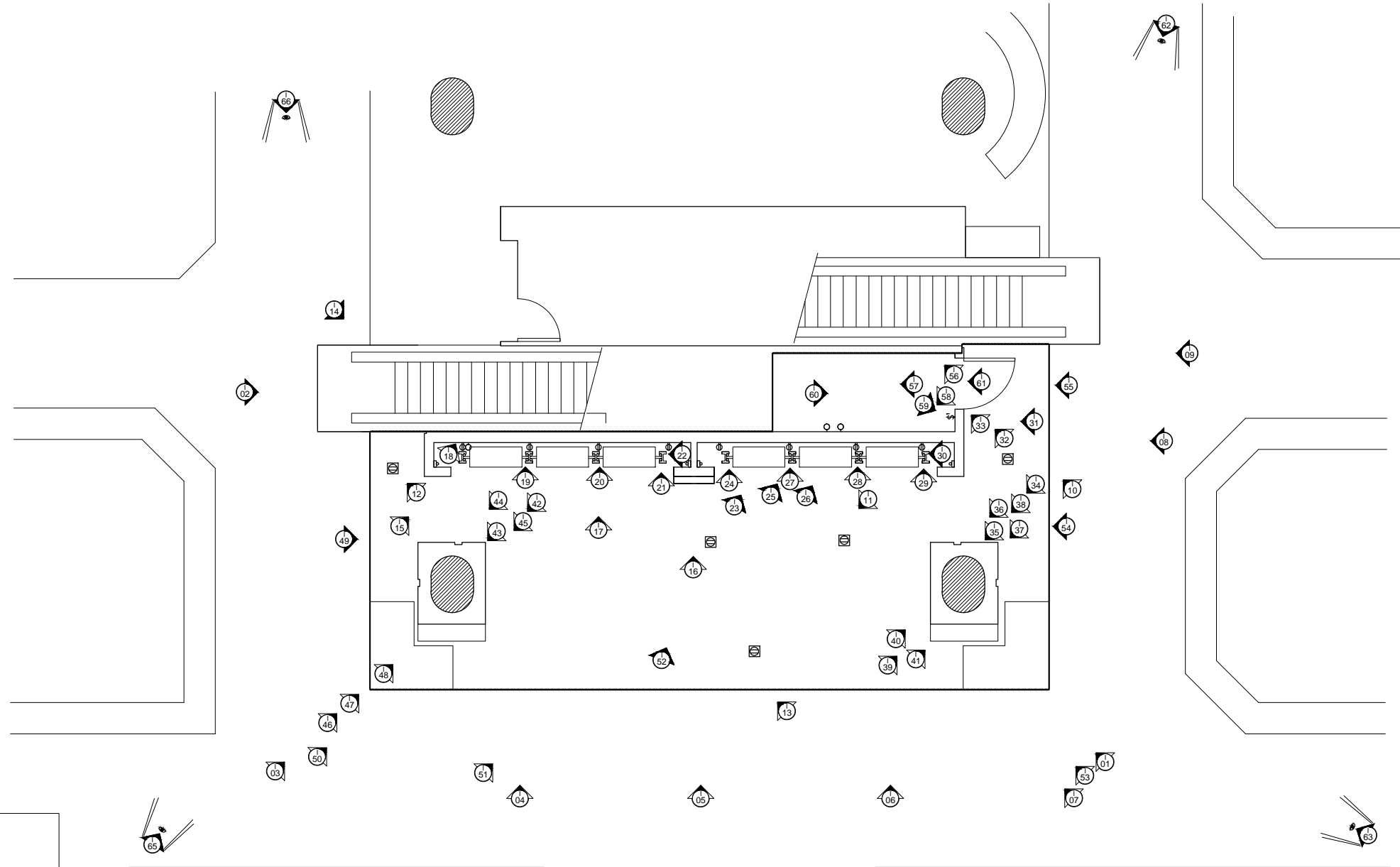


**ELECTRICAL LEGEND**

|                        |   |
|------------------------|---|
| ELECTRICAL PLATE       | □ |
| DUPLEX OUTLET          | ○ |
| QUADRUPLUX OUTLET      | ⬢ |
| TWIST LOCK OUTLET      | ⬢ |
| COAXIAL / CABLE OUTLET | ⬢ |
| DATA OUTLET            | ⬢ |
| PHONE OUTLET           | ⬢ |
| COMBO DATA / PHONE     | ⬢ |
| JUNCTION BOX           | ⬢ |
| SWITCH                 | ⬢ |





**SIGHTLINE PHOTOS**

PHOTO I (62) TAKEN NEAR ESCALATOR

PHOTO I (63) TAKEN FROM AISLE 20' AWAY

PHOTO I (64) TAKEN FROM TRAFFIC FLOW

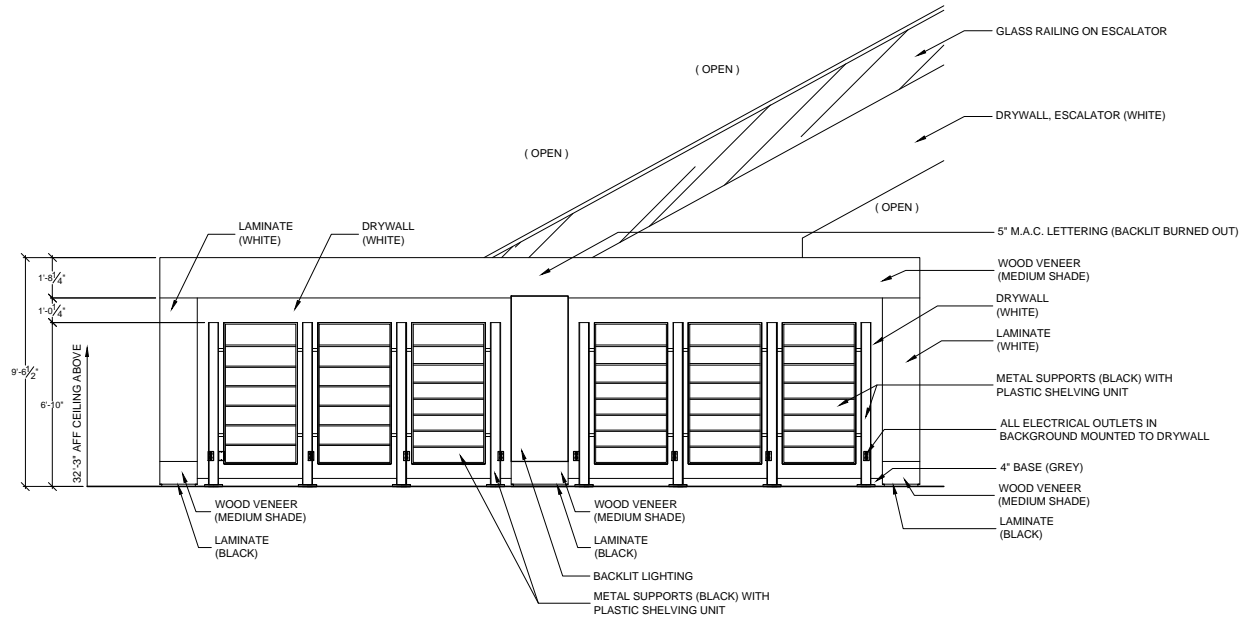
PHOTO I (65) TAKEN FROM AISLE 20' AWAY

PHOTO I (66) TAKEN NEAR ESCALATOR

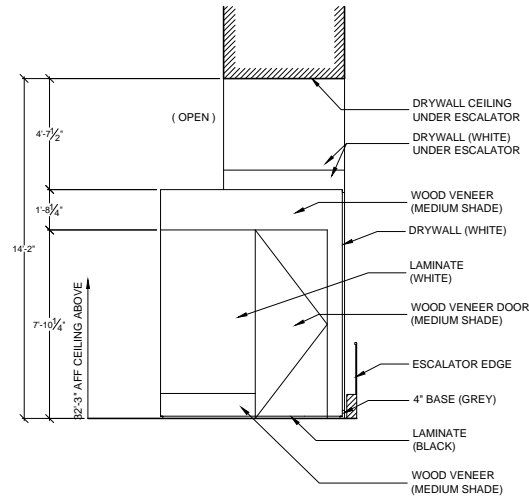
PHOTO I (67) TAKEN FROM ABOVE SPACE

PHOTO I (68) TAKEN FROM ABOVE SPACE

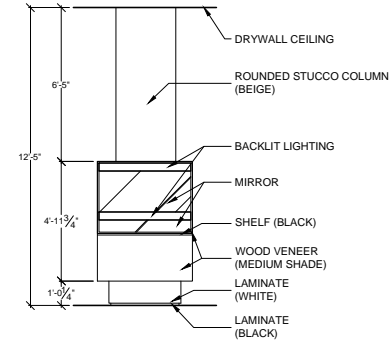
**PHOTO LEGEND**  
 I - INTERIOR  
 X - EXTERIOR  
 M - MEP  
 S - STRUCTURE



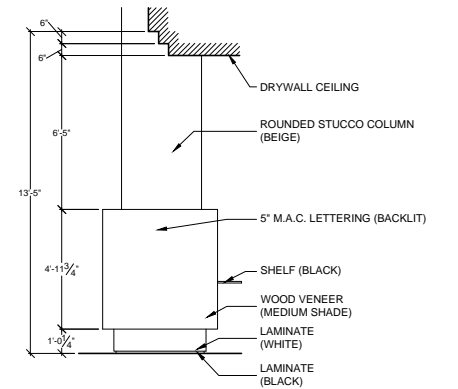
**ELEVATION 'A'**  
SEE PHOTO(S) # 1 (15 TO 30)



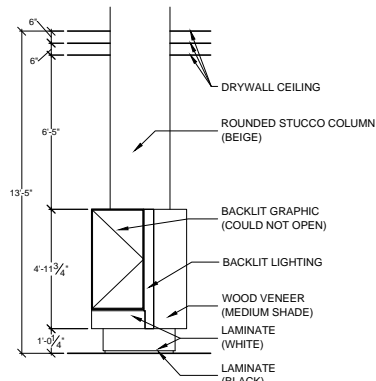
**ELEVATION 'B'**  
SEE PHOTO(S) # 1 (31 TO 33)



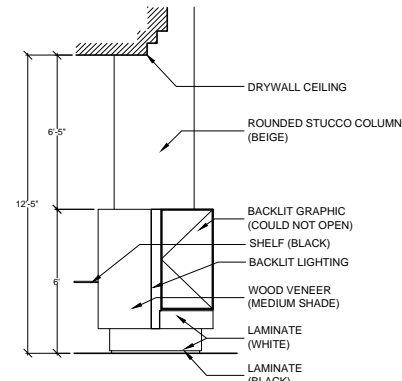
**ELEVATION 'C'**  
SEE PHOTO(S) # 1 (39 TO 41 & 46 TO 48)



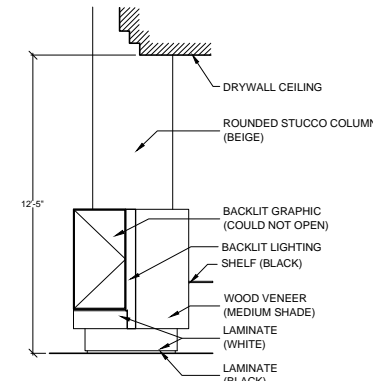
**ELEVATION 'D'**  
SEE PHOTO(S) # 1 (39 TO 41)



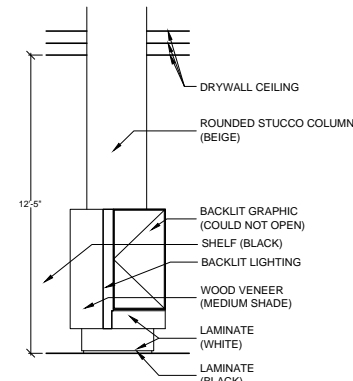
**ELEVATION 'E'**  
SEE PHOTO(S) # 1 (34 TO 38)



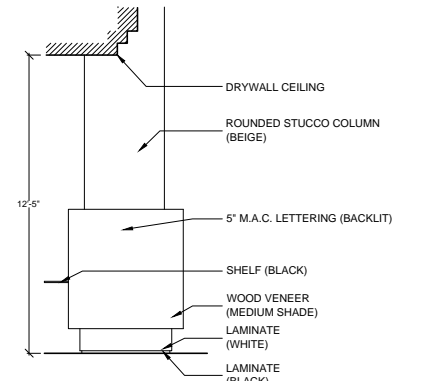
**ELEVATION 'F'**  
SEE PHOTO(S) # 1 (34 TO 38)



**ELEVATION 'G'**  
SEE PHOTO(S) # 1 (46 TO 48)



**ELEVATION 'H'**  
SEE PHOTO(S) # 1 (42 TO 45)



**ELEVATION 'J'**  
SEE PHOTO(S) # 1 (42 TO 45)

WALL STANDARD SPECIFICATIONS

NO WALL STANDARDS IN SPACE.