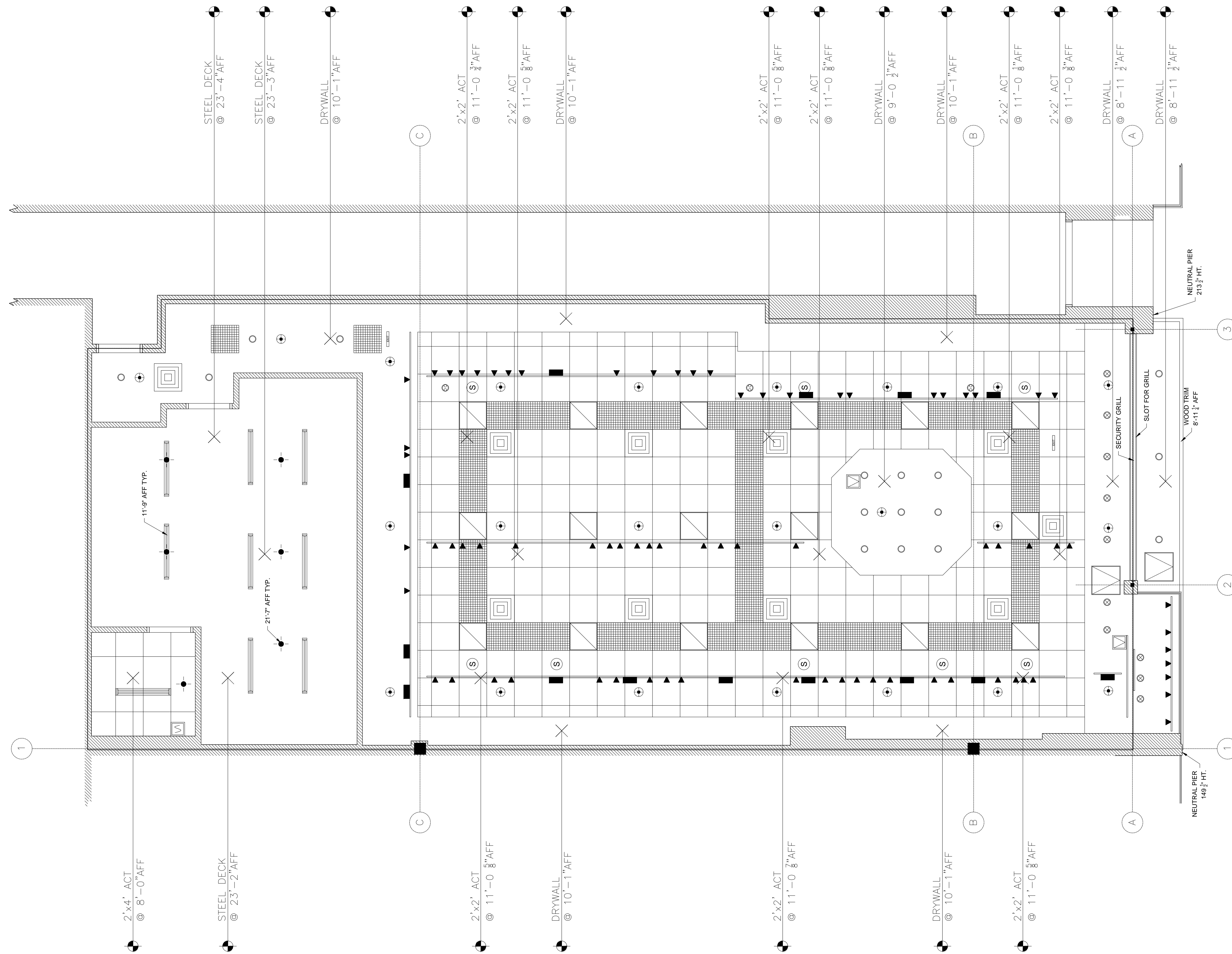
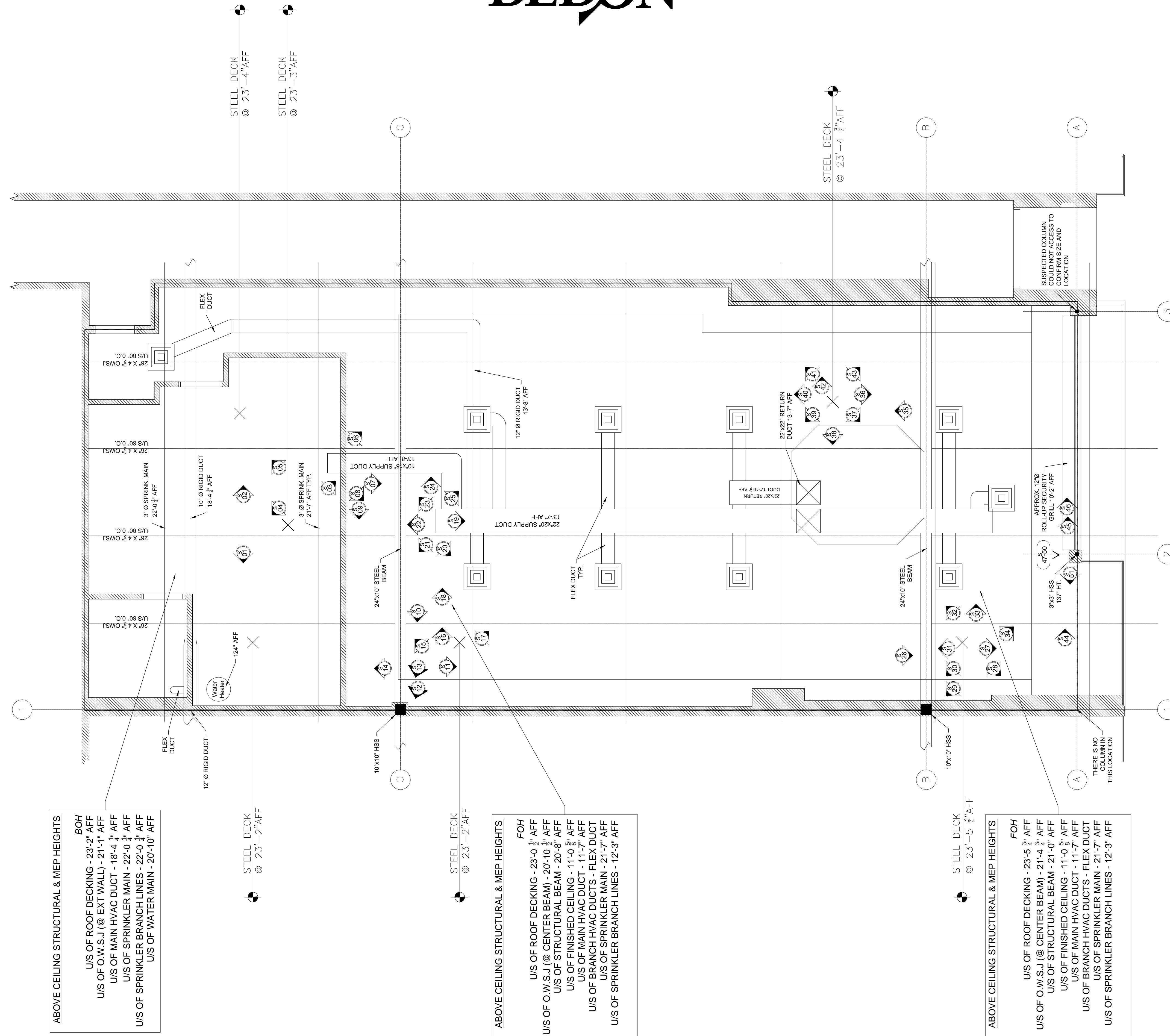


ELECTRICAL LEGEND	
ELECTRICAL PLATE	□
DUPLEX OUTLET	○
QUADPLEX OUTLET	■
TRIST LOCK OUTLET	■
COAXIAL CABLE OUTLET	■
DATA OUTLET	■
PHONE OUTLET	■
COMBO DATA/PHONE	■
JUNCTION BOX	○
SWITCH	■



**CEILING FIXTURE LEGEND**

	2 x 4' CEILING LIGHTING
	7 x 7' CEILING LIGHTING
	RECESSED LIGHTING
	TRACK LIGHTING
	EMERGENCY LIGHTING
	EXIT SIGN
	FIRE ALARM
	SECURITY CAMERA
	SMOKE DETECTOR
	MOTION DETECTOR
	TEMPERATURE SENSOR
	CO2 SENSOR
	WATER LEAK DETECTOR
	VIBRATION SENSOR
	ACOUSTIC SENSOR
	SECURITY CAMERA
	LIFE SAFETY SYSTEM
	EXIT SIGN LIGHTING



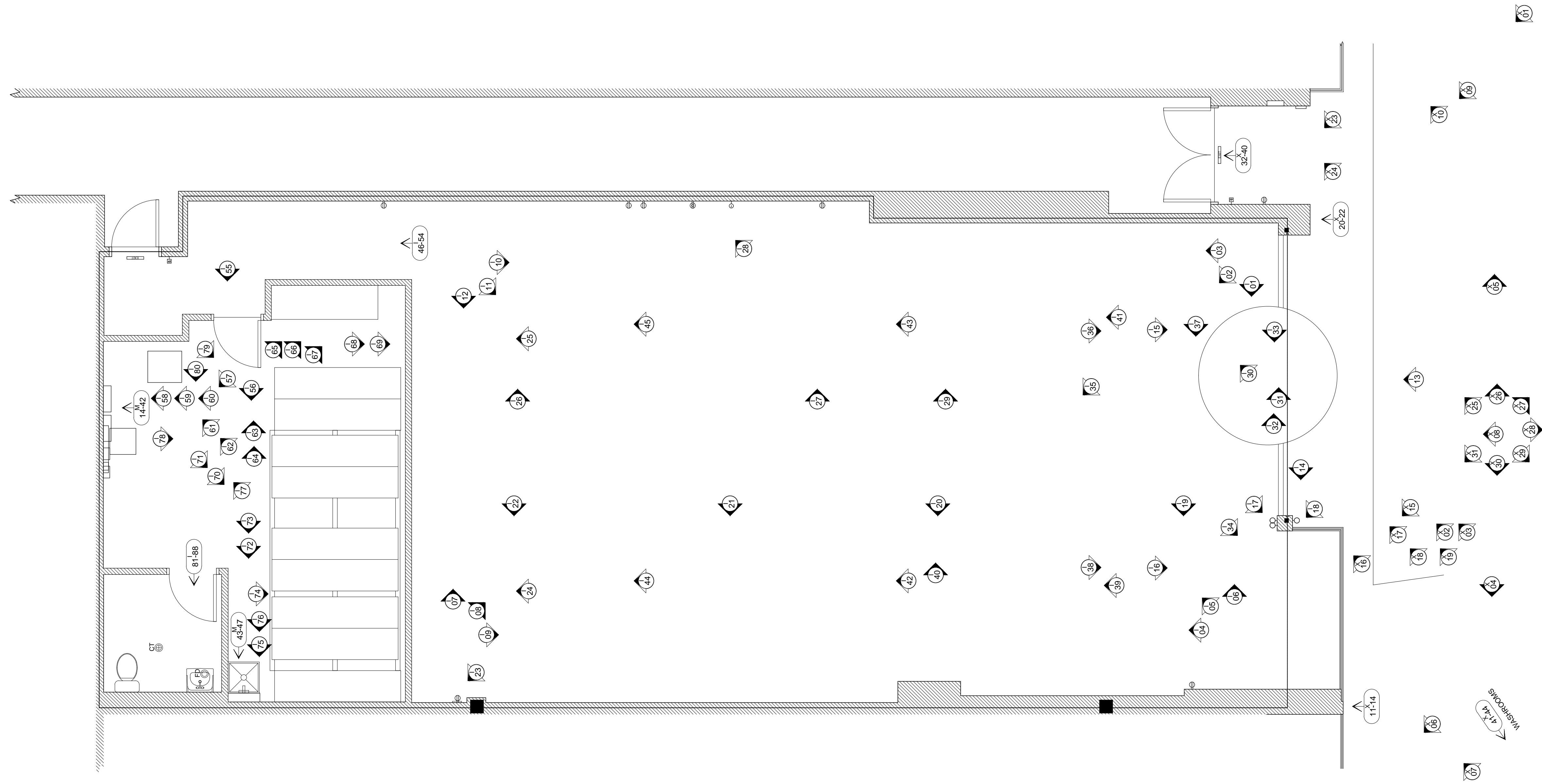
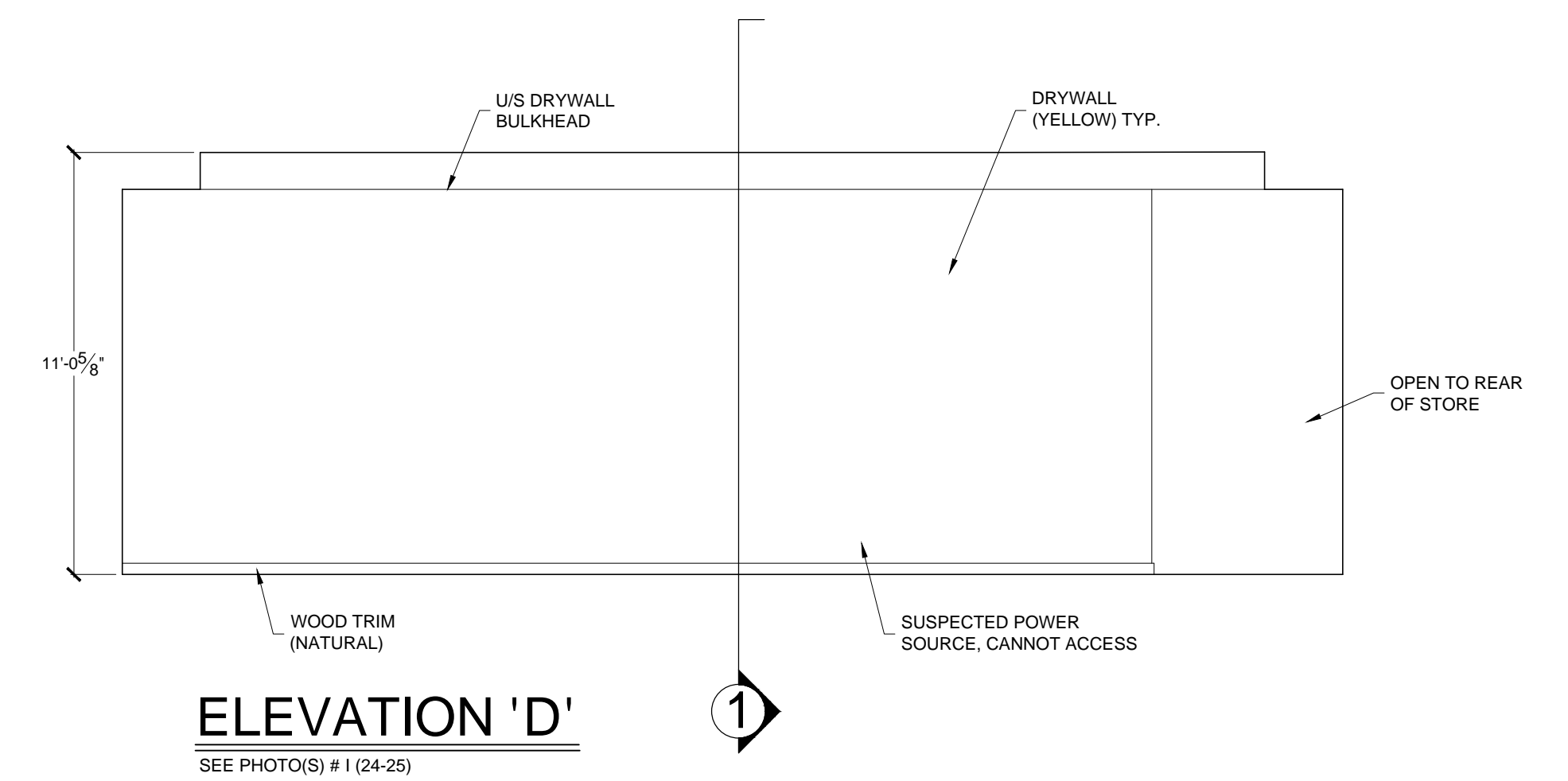
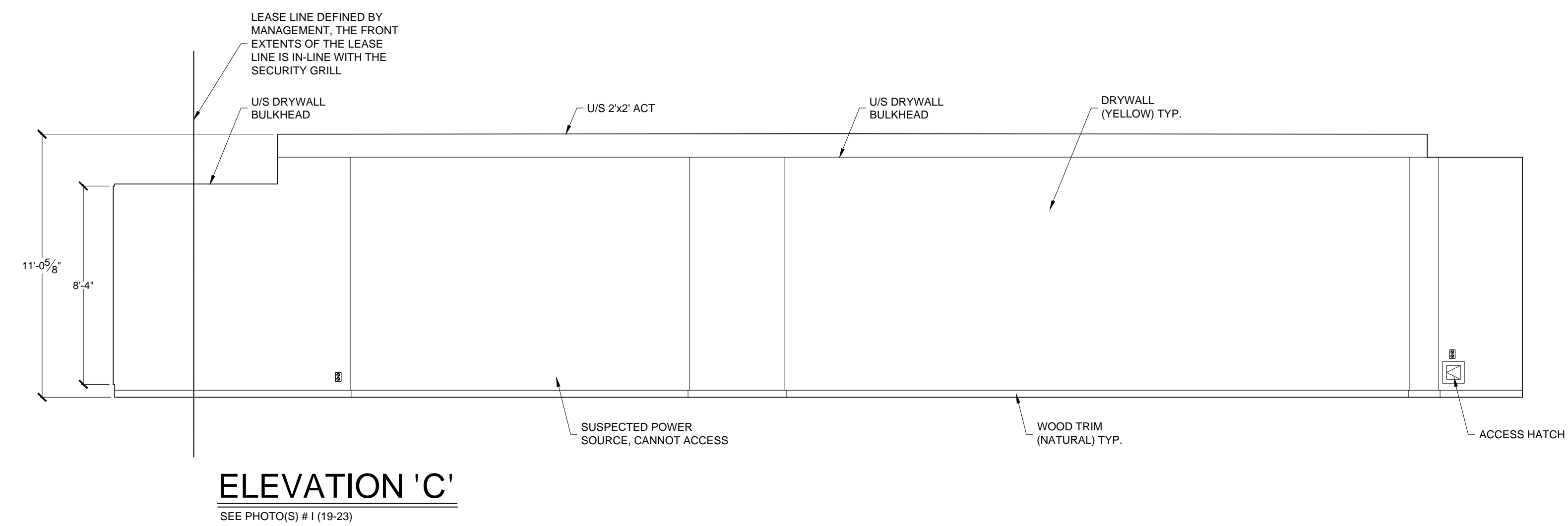
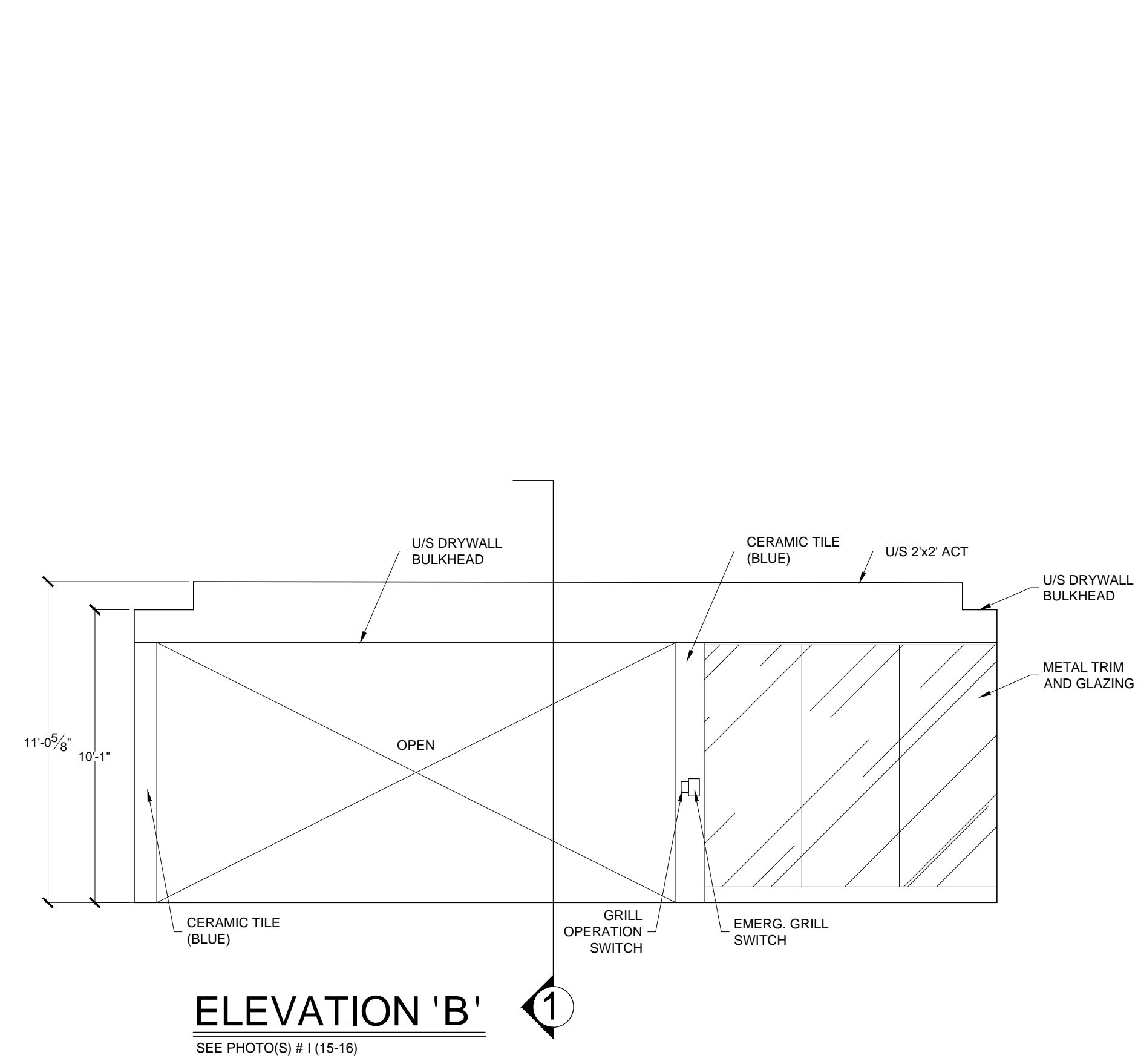
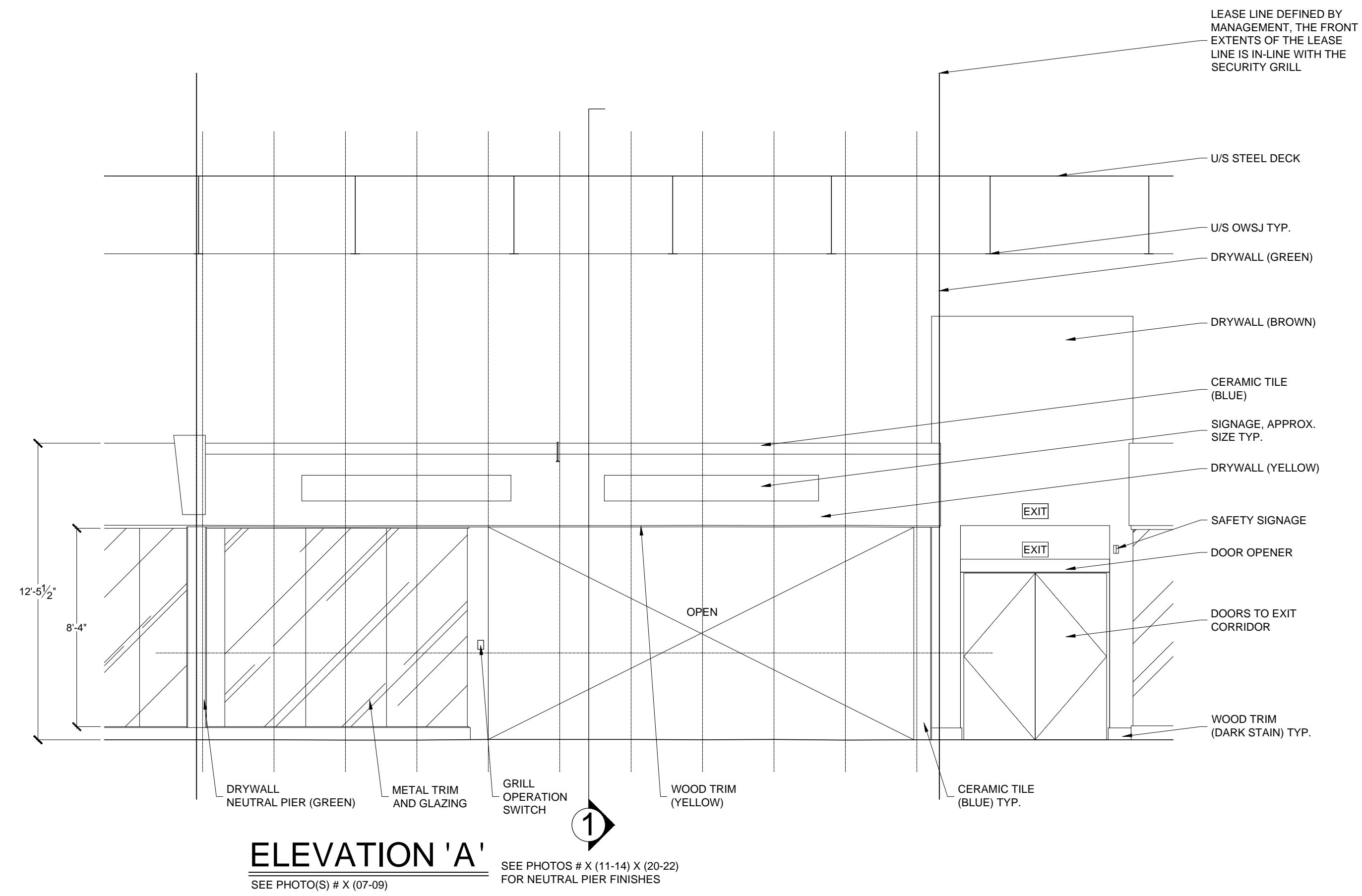
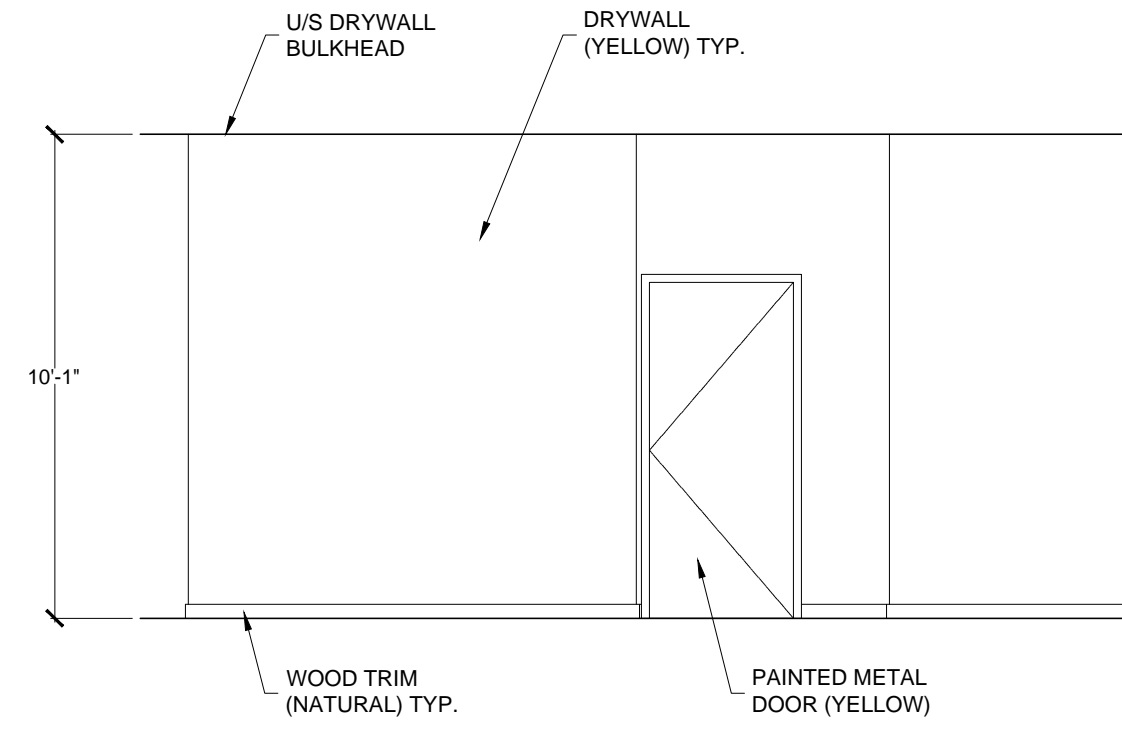
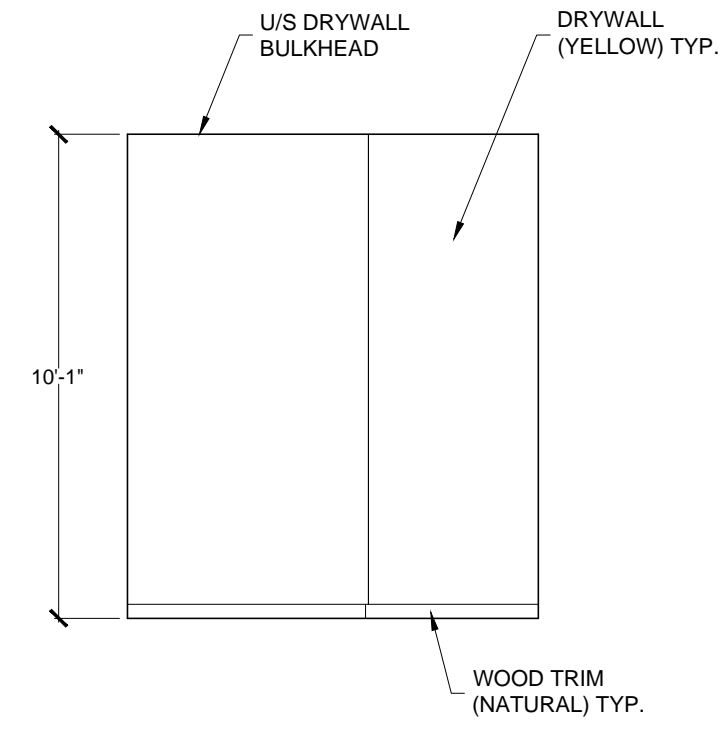


PHOTO LEGEND  
 I - INTERIOR  
 X - EXTERIOR  
 \* - SERVICE  
 S - STRUCTURE

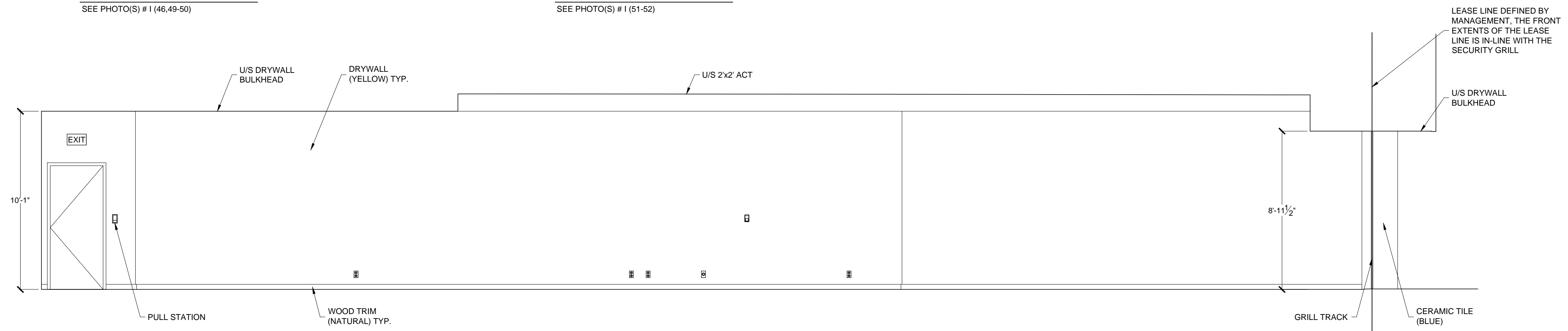




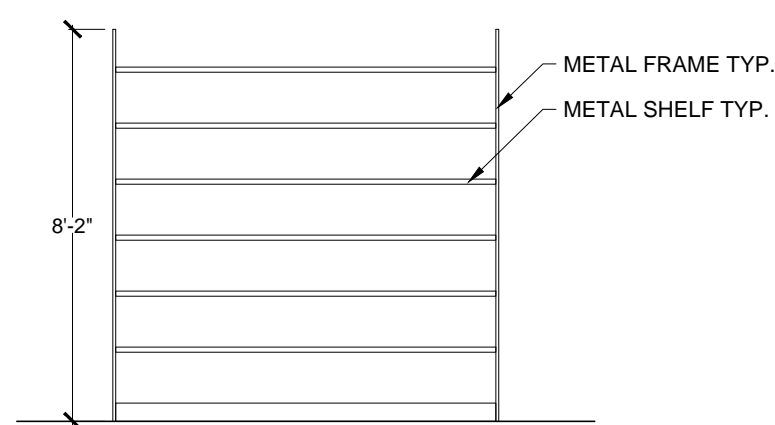
**ELEVATION 'E'**  
SEE PHOTO(S) # 1 (46,49-50)



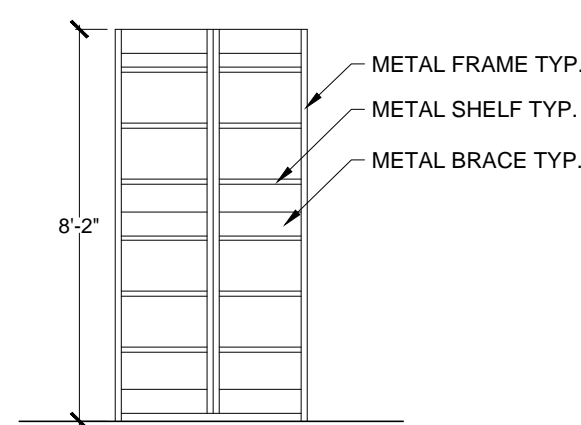
**ELEVATION 'F'**  
SEE PHOTO(S) # 1 (51-52)



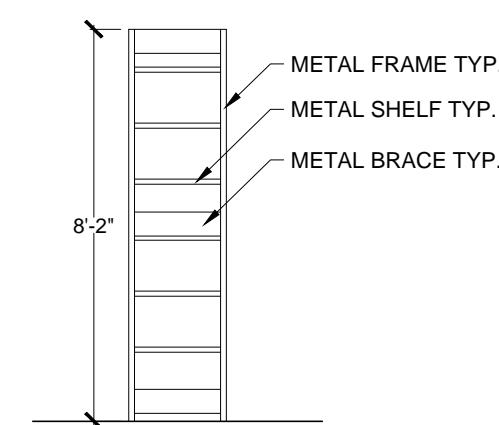
**ELEVATION 'G'**  
SEE PHOTO(S) # 1 (52, 26-30)



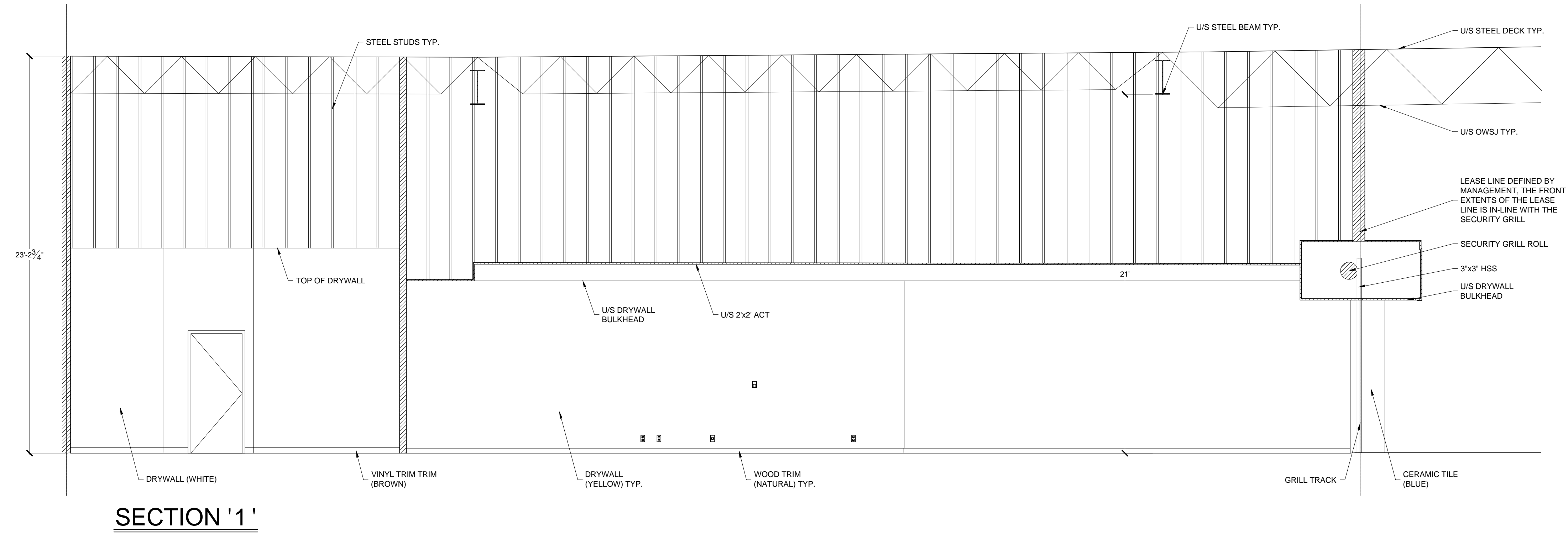
**ELEVATION 'H'**  
SEE PHOTO(S) # 1 (89-90)



**ELEVATION 'J'**  
SEE PHOTO(S) # 1 (89-90)



**ELEVATION 'K'**  
SEE PHOTO(S) # 1 (89-90)



## ELECTRICAL PANEL/UNIT SPECIFICATIONS

### MAIN DISCONNECT

60 AMPS  
SEE PHOTOS #M (01-03)

### SWITCH '1'

MAKE: SQUARE 'D'  
SIZE 9"w x 5"d x 18"h x 43" AFF  
600 VOLTS - 60 AMPS  
SEE PHOTOS #M (15-16)

### SWITCH '2'

MAKE: SQUARE 'D'  
SIZE 6"w x 4"d x 14"h x 64" AFF  
600 VOLTS - 30 AMPS  
SEE PHOTOS #M (17-18)

### SWITCH '3'

MAKE: SQUARE 'D'  
SIZE 9"w x 5"d x 18"h x 43" AFF  
600 VOLTS - 60 AMPS  
SEE PHOTOS #M (19-20)

### TRANSFORMER

MAKE: SQUARE 'D'  
SIZE 20"w x 20"d x 27"h x 117" AFF  
120/208 VOLTS - 45 KVA  
SEE PHOTOS #M (38-39)

### PANEL 'A'

MAKE: SQUARE 'D'  
SIZE: 20"w x 6"d x 35"h - 43" AFF  
240 VOLTS - 225 AMPS  
3 PHASE 4 WIRE  
42 TOTAL CIRCUITS  
13 EMPTY CIRCUITS  
SEE PHOTOS #M (23-29)

### PANEL 'B'

MAKE: SQUARE 'D'  
SIZE: 20"w x 6"d x 32"h - 43" AFF  
240 VOLTS - 225 AMPS  
3 PHASE 4 WIRE  
30 TOTAL CIRCUITS  
16 EMPTY CIRCUITS  
SEE PHOTOS #M (30-35)

### SPLITTER

MAKE: BEL  
SIZE 36"w x 4"d x 7"h x 33" AFF  
600 VOLTS - 70 AMPS  
SEE PHOTOS #M (36-37)

## WATER HEATER SPECS

MAKE: A.O. SMITH  
POWER: ELECTRIC  
SPEC. LABEL IS POINTED TOWARDS  
THE WALL, CANNOT ACCESS  
PHOTOS #: M(43-47)

## NOTES:

1. ELECTRICAL SERVICE COMING INTO THE SPACE IS 600 VOLT WHICH GETS STEPPED DOWN TO 120/208 VOLTS AT THE TRANSFORMER
2. CORING AND TRENCHING IS ALLOWED
3. CONCRETE FLOOR SLAB ON GRADE APPROX. 4" THICK

### RTU UNIT:

MAKE: LENNOX  
M/N: WORN LABEL  
S/N: WORN LABEL  
PHOTOS: #M(04-09)

### MALL CONTACT:

OPERATIONS MANAGER:  
LLOYD ROBERTS  
PH - (905) 879-1777 EXT. 2125  
FAX - (905) 879-1888